

Display for Mammography and Radiology



21.3"

5MP

LED
Backlight

1150
cd/m²

2000:1

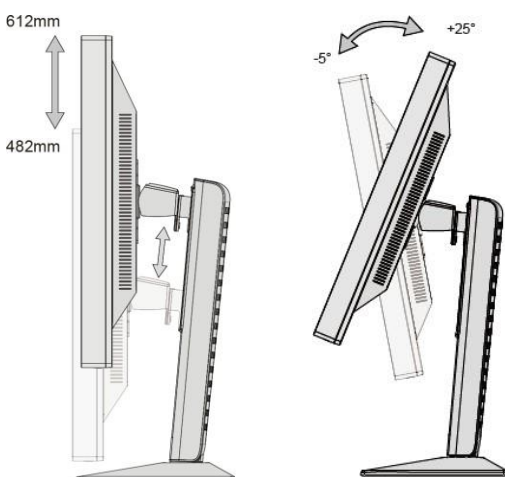
Embedded
calibration

Human
Presence

DVI-D
DisplayPort

Reading
Light

5 Year
Warranty



- High brightness and resolution performs detailed color and grayscale medical images for precise diagnosis
- Compliant with DICOM 3.14 Part 14 GSDF
- Embedded self-calibration and quality assurance for Color and Gray scale
- High definition display with smooth gradation
- Anti-Reflective hard Glass for screen protection
- Slim bezels for space saving
- LED backlight stabilization function
- Human presence sensor for eco friendly

Specifications

Panel Spec.	
Panel type	TFT LCD
Screen size (mm)	21.3"
Resolution	2048 x 2560
Brightness	1150 cd/m ² (Typical)
DICOM calibrated brightness	500 cd/m ²
Viewable size H x V(mm)	337.92 x 422.4
Pixel pitch (mm)	0.165 x 0.165
Bit Depth	10 bit
Viewing angle	89° / 89° / 89° / 89°
Contrast ratio	2000:1 (Typical)
Display color	1.07G
Response time(ms)	25 (Tr + Tf)
Features & functions	
Calibration	Embedded self-calibration (AcuCal® trade mark pending) with 12-Bit LUT
Backlight stabilization	Yes
Ambient light compensation	Yes
Human presence sensor	Yes
Reading light	Yes
Video signals	
Input	DVI-D (Dual Link) x 1, DisplayPort x 1
Output	DisplayPort x 1 (daisy chain)
USB Ports	
Function	USB 2.0 upstream (endpoint) x 1, USB 2.0 downstream x 2, USB (Service Only) x 1
LAN port	
Type	RJ45 10/100bps x 1
Power supply	
Power Input	AC 100V ~ 240V 50/60Hz
Power consumption	85W
Power Management	VESA DPMS compatible (< 0.5W under stand-by mode)
Physical specification	
Cabinet Color	Black RAL9004
Cabinet Materials	Plastic
Screen Protection	Anti-Reflective Hard Glass
Mounting standard	VESA 100x100 mm
Stand	Tilt, Swivel, Height adjustment, Pivot (Portrait/Landscape) function
Net weight	10.9 kgs
Dimensions (W x H x D) - Portrait	359.0 mm x 612.0 mm x 220.0 mm (with highest stand height) 359.0 mm x 482.0 mm x 220.0 mm (with lowest stand height)
General	
Plug and Play	EDID
Operating temperature	0°C ~ 35°C
Optimal Operating temperature	10°C ~ 30°C
Storage temperature	-20°C ~ 60°C
Accessory	User's manual, power cord, DisplayPort cable
Certifications	FDA510k (pending), UL (ANSI/AAMI ES60601-1), CE (EN60601-1 ed3.1, EN60601-1-2 ed4), FCC Class B
Warranty	5 Years

Last updated: Nov. 01, 2022

Specifications subject to change without notice